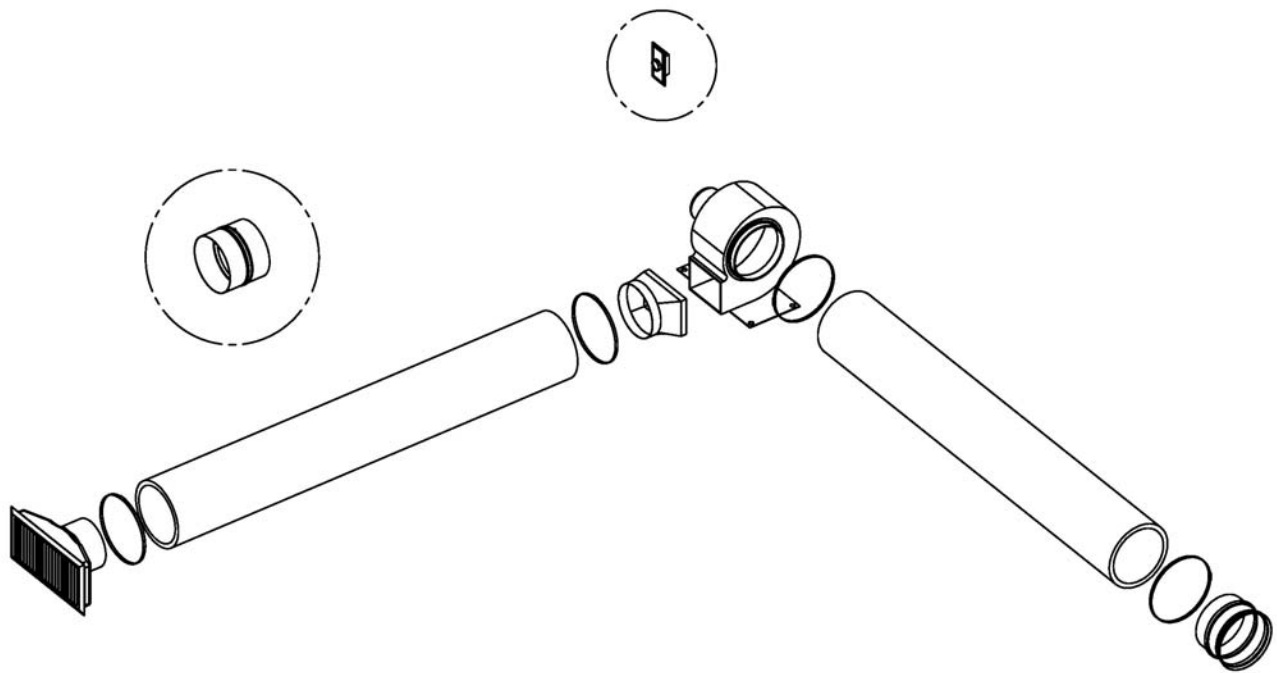


Valcourt
The Fireplace of Your Dreams

Forced air distribution kit **VA4460**



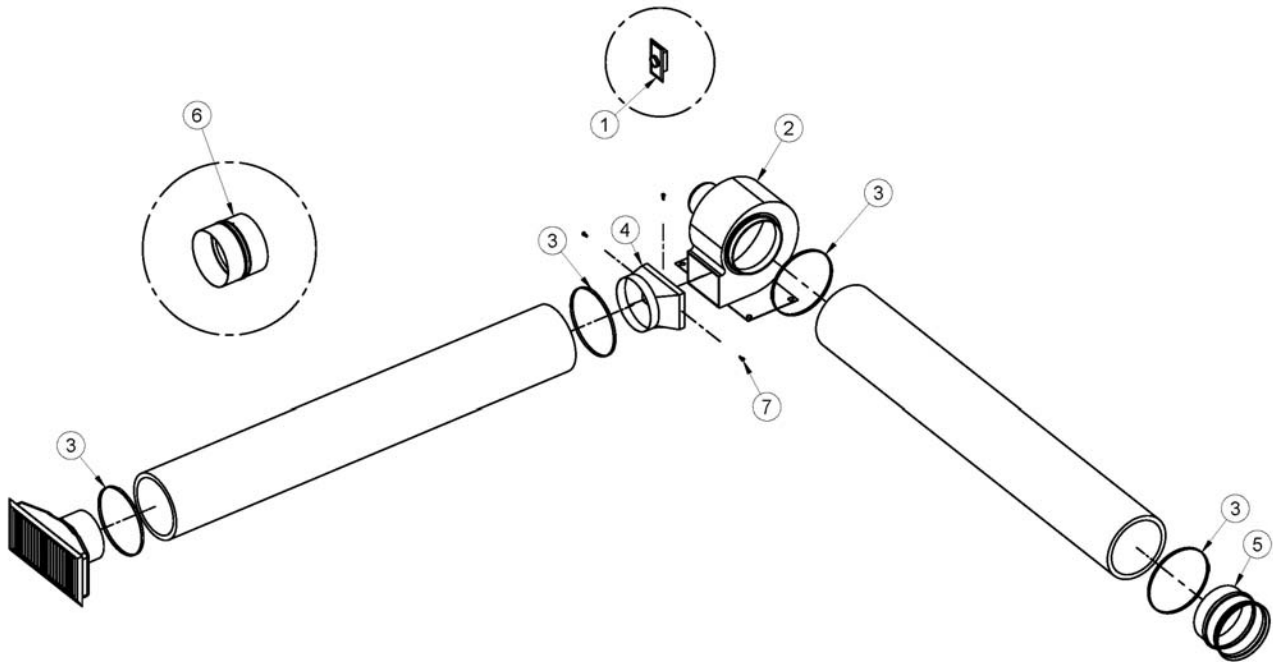
This manual is available for free download on the manufacturer's web site. It is a copyrighted document. Re-sale is strictly prohibited. The manufacturer may update this manual from time to time and cannot be responsible for problems, injuries, or damages arising out of the use of information contained in any manual obtained from unauthorized sources.

This forced air distribution kit contains the following parts:

1. Rheostat 44131 (#1 - 1X).
2. 6'' fireplace connector 49090 (#5 - 1X).
3. Fan 44121 (#2 - 1X).
4. 6'' Duct collar 49027 (#3 - 4X).
5. Backflow shutter 49092 (#6 - 1X). (Required if connected to a hot air distribution duct).
6. Fan adapter 49091 (#4 - 1X).
7. Screws 30153 (#7 - 3X).

Other accessories required (not included):

1. Air outlet (1X)
2. Insulated flexible aluminized trilaminated pipe 6'' x 25' AC01350 (1X)



FORCED AIR DISTRIBUTION KIT VA4460

The Forced air distribution kit VA4460 can be used to heat adjacent rooms or lower floor located up to 50' (15.2 m) from your Valcourt Fireplace. Only 6" (15 cm) insulated flexible aluminized trilaminated pipe can be used for such installations. (Figure #1)

This kit comes with a rheostat; it could be installed for manual control or can be installed with a thermal switch which is located underneath the firebox. Installing with the thermal switch will activate the fan when the fireplace reaches 110°F (50°C) and automatically shut it off when fireplace cools down under 110°F.

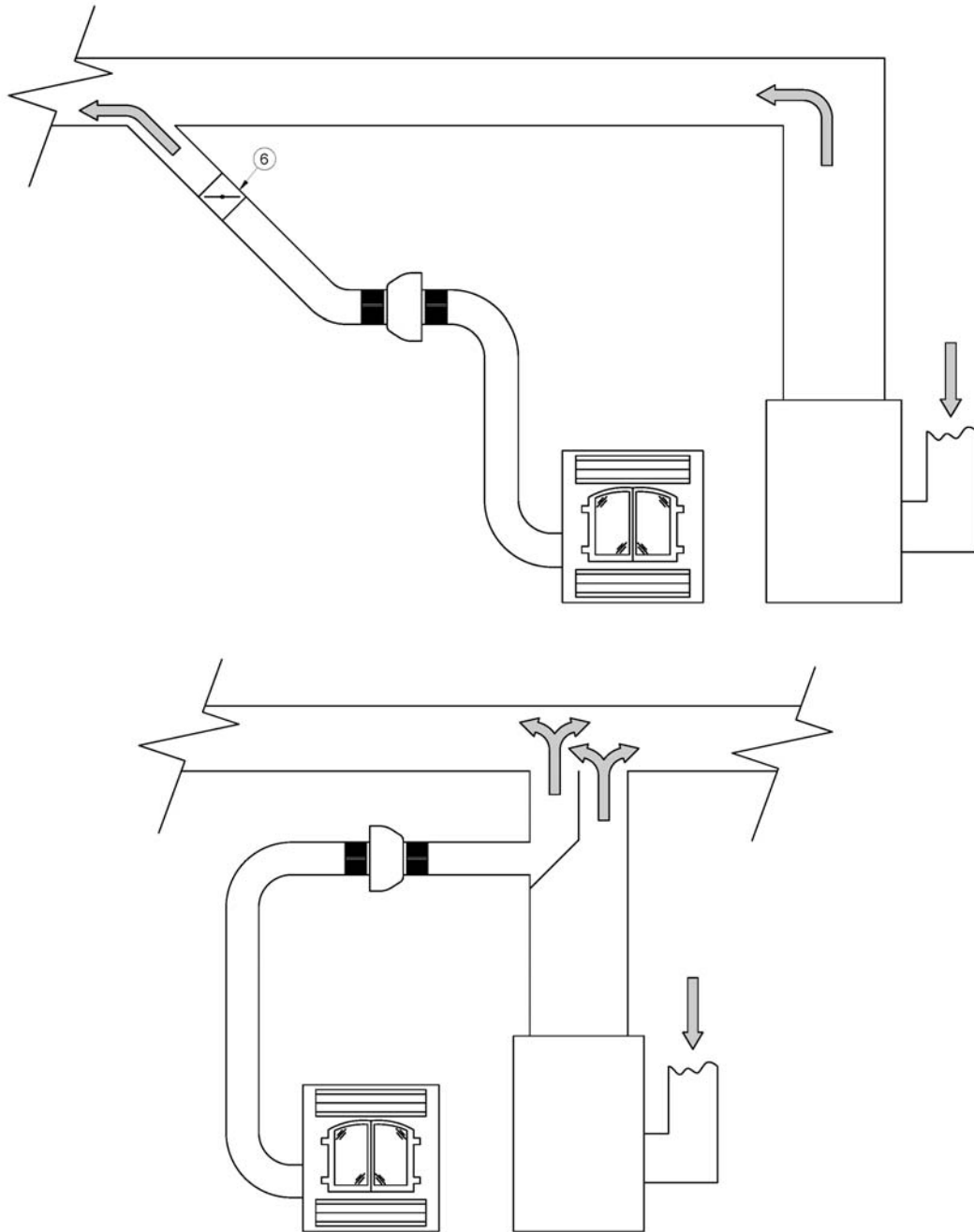


Figure 1: Forced Air Distribution Kit

Warning

In Canada, the connection of the forced air kit to a furnace duct is prohibited, unless local building codes allow it. This type of installation is allowed in the USA (UL 391 Standards). **However, do not connect any hot air ducts to the cold air return.** If the forced air kit pipe is to be connected to a furnace hot air distribution system, a backflow shutter (#6) must be installed between the forced air kit fan and the central system hot air duct. To favor an optimum air distribution, it is recommended to connect the forced air kit pipe to the furnace duct using an angled connector oriented towards the air outlet.

The Forced Air Duct System Installation (Figure #2):

1. Select the area to be heated, then the location where you will run the ducting to determine which of the three outputs on the fireplace is the most appropriate for your installation; on either side or back.
2. Once your location is chosen, remove the knockout on the fireplace (#A). Cut the insulation and then the second knockout cover (#A).
3. The connector (#5) will attach to the inner portion.
4. Once secured, you may attach the insulated flexible pipe (#B, not included) with the supplied collar (#3). Run the insulated flexible pipe (#B, not included) to the adjacent room or lower floor.
5. Install the fan (#2) in a location where, you will have access for maintenance (never in the fireplace enclosure) and somewhere the fan's noise will not be disturbing.
6. Once the fan is installed, secure the fan adapter (#4) with the screws 30153 (#7). You may connect the insulated flexible pipe (#B, not included) to the fan (#2) and to the fan adapter (#4) with the supplied collars (#3).
7. Install the rheostat (#1), preferably near the fireplace.

If the fireplace is in a small room, the fan can be used to distribute excess heat in a determined area of the house. **A certain loss of heat is to be expected more the duct length increase. For maximum efficiency run the fan at mid speed.**

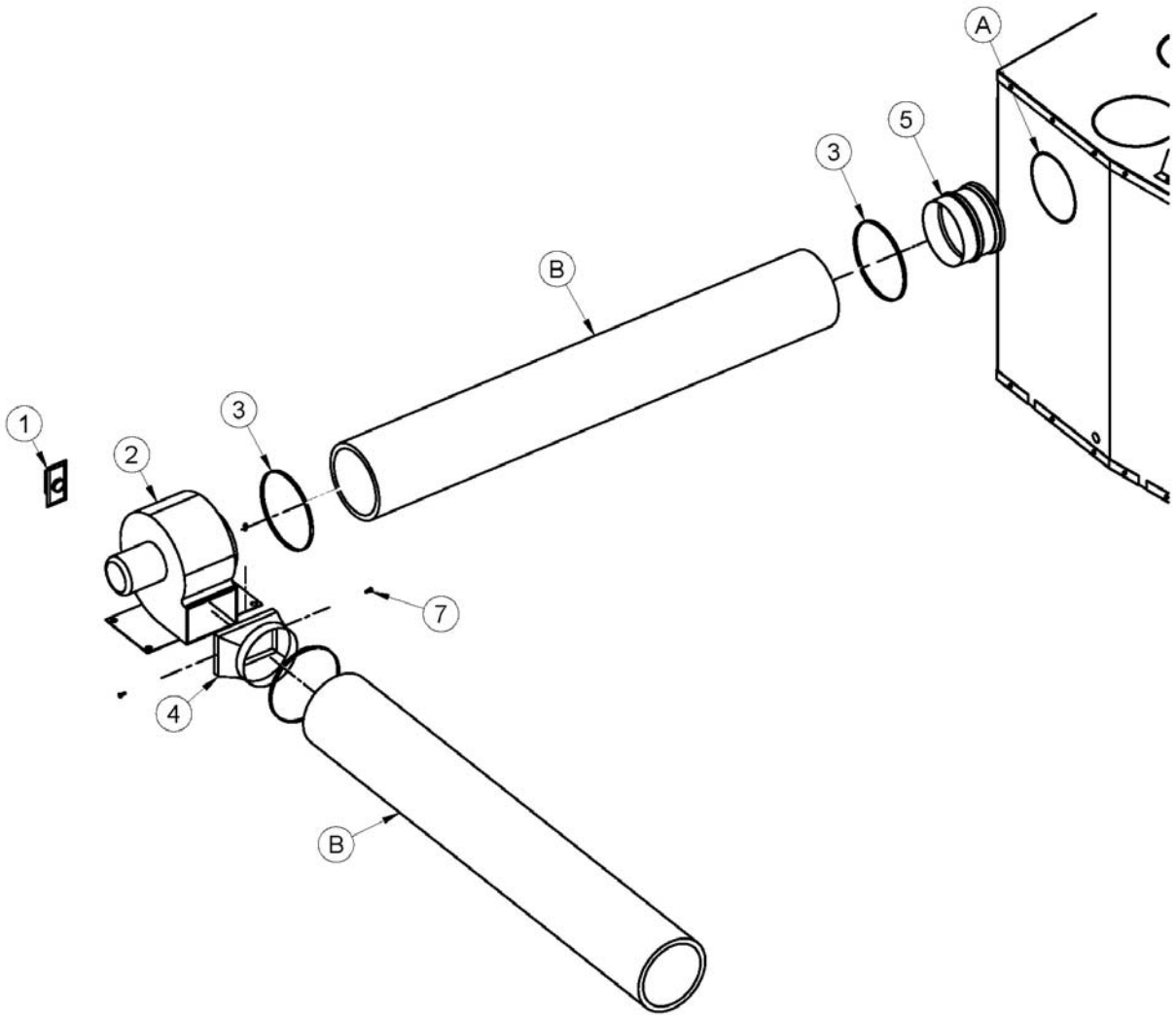


Figure 2: Installation diagram of the Forced air distribution kit VA4460

Recommended Installation

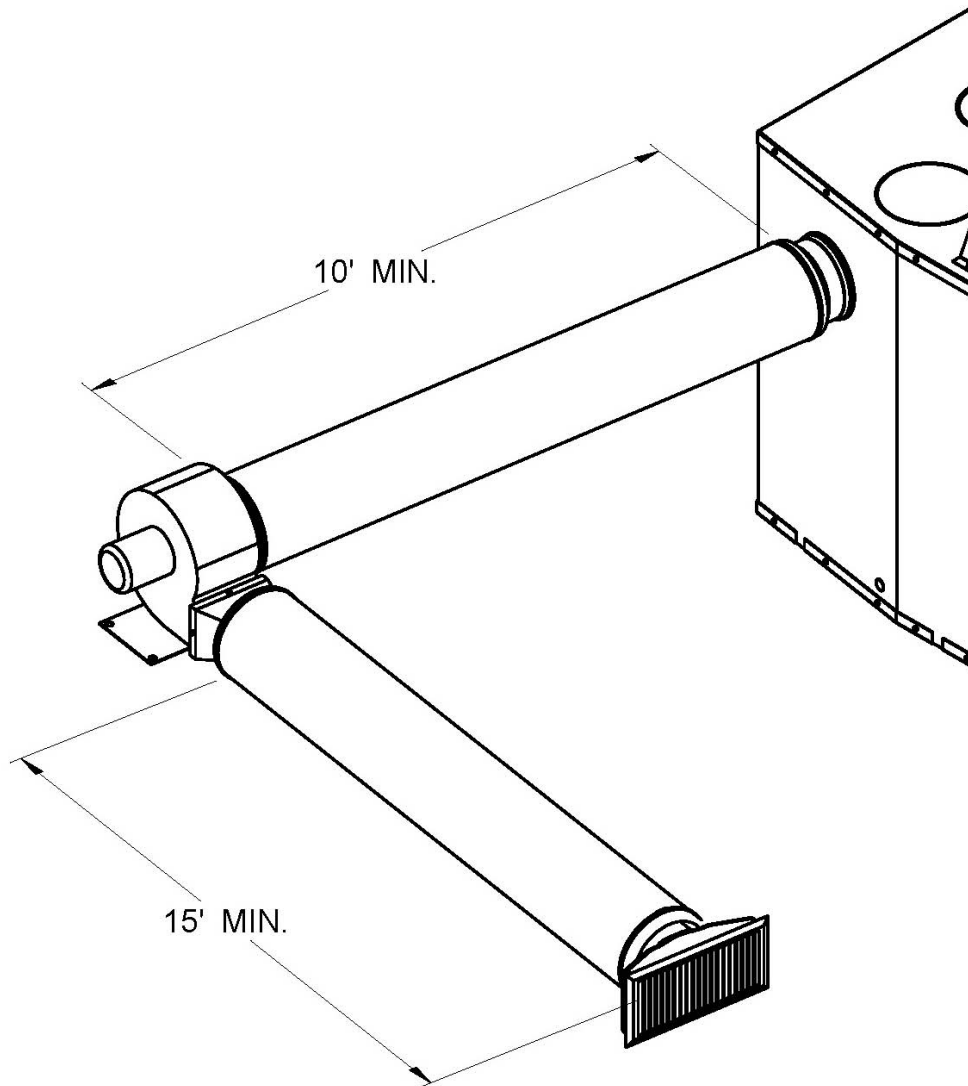


Figure 3: Recommended Installation

Note: The fan must be positioned at a minimum distance of 10 feet from the fireplace and outside of its enclosure.

Note: The length of the insulated flexible pipe between the fan and the air outlet must be no less than 15 feet.

Note: A minimum clearance to combustible materials of 2 inches from the fan is required.

This installation requires electrical power. Make sure all electrical connections are made in the correct order and comply with local regulations as well as the applicable National Building Code standards. Install the rheostat close to the fireplace so it can be easily turned off before you open the fireplace doors. **If the fan is running, the smoke could be drawn out of the fireplace instead of up the chimney and sparks may be drawn into the insulated flexible pipe of the forced air kit.**

Warning: Keep the fireplace fan's electrical circuitry separate from the central fan's circuitry. One must not control the other and vice versa.

Have the wiring installed by a qualified electrician (Figure #4).

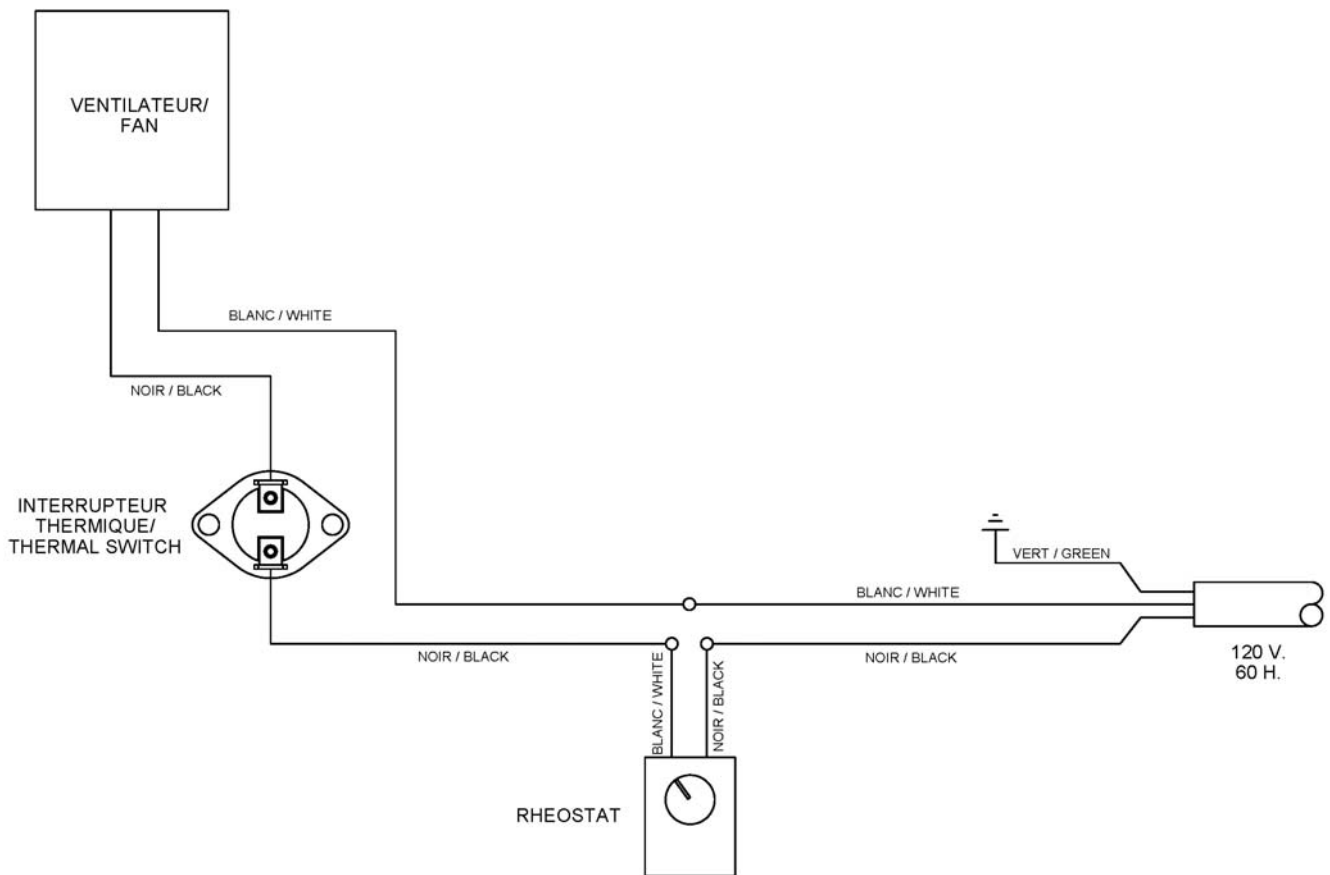


Figure 4: Circuit Diagram

STOVE BUILDER INTERNATIONAL INC.
250, de Copenhague, Saint-Augustin-de-Desmaures
(Quebec), Canada G3A 2H3
Tel : (418) 878-3040
Fax : (418) 878-3001